

- Edge-to-edge glass IP65 rated
- 10-finger multitouch touch screen Panel
- 250nit Brightness (cd/m2)
- Android RK3288
- 2GB RAM 64GB SSD included
- Integrated Wi-Fi, 1× LAN
- VESA 75/100 bracket for mounting, metal stand
- Customization available upon request

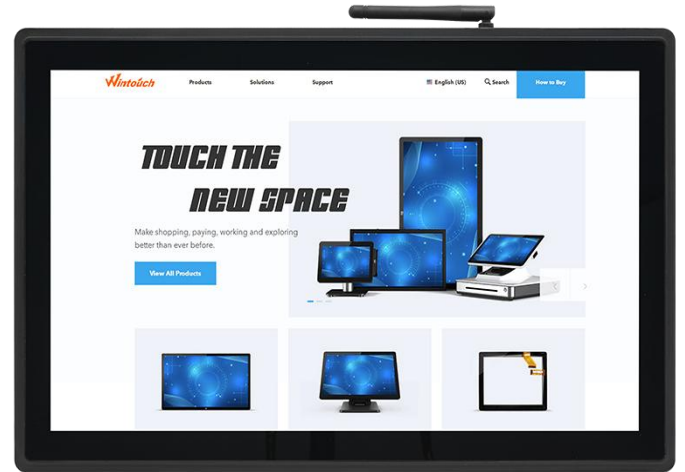
Wintouch's innovative IP65 Front Capacitive Touchscreen PC with its silent fanless operation, reliability, and fine craftsmanship, stands out from the competition.

The Touchscreen PC features a sleek modern appearance. Flat edge to edge glass, the front panel is water proof and dust proof meeting the requirements of IP65 standards. The back has a sturdy aluminum case manufactured out of a continuous casting mold with stable VESA-75/100 fixation bolts offering numerous industrial and consumer connectors like serial ports or USB 3.0.

The heart of the Touchscreen PC is Android RK 3288 mainboard, equipped with 2GByte RAM, 16G SSD.

The capacitive touch panel is completely inhouse developed by Wintouch's renowned engineers. it can be Anti Glare chemically etched surface treatment, 10-finger multitouch and unlimited touches without failure on the touch panel are class leading features. Behind that touch panel are wintouch's A+ panels, guaranteeing that there is not even a single sub-pixel defect. As an option, customers can chose optical bonding and high brightness panels to further improve the visual impression of the product.

Wintouch's industrial touch PCs ensure the performance and stability required for long term operation in today's demanding manufacturing, commercial, and retail environments.



Product name	15.6" PCAP Touch PC
Modle numer	WTPC156
Anti-glare LCD Panel	
IP rated front panel	IP65
Screen diagonal (Inch/cm):	15.6/39.6
Display active screen size:	34.42x19.35
Aspect ratio:	16:9
Physical resolution:	1920x1080
Colours displayed:	16.7M
Brightness (cd/m2):	250
Contrast:	800:1
Typical reaction time Tr/ Tf :	15/15 (ms)
Visual Angle horizontal/vertical :	170/170(°)
Backlight / Backlight Lifetime	LED / 30,000

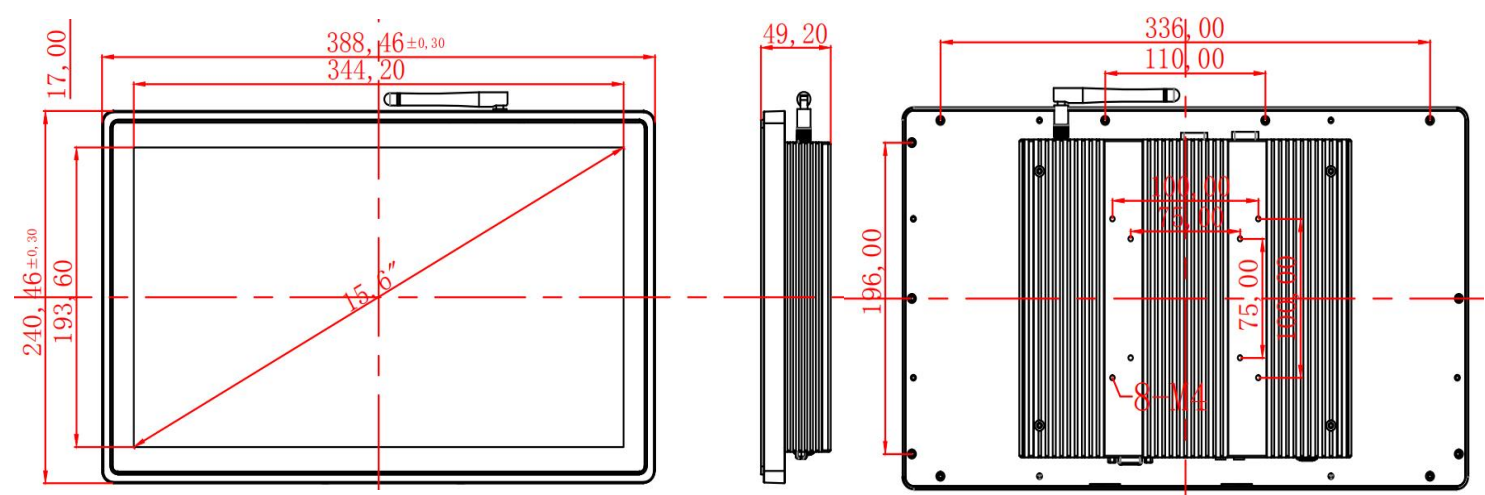
PC System	
CPU	RK3288
Memory	2GB RAM
Storage	16GB SSD
W-LAN	1x LAN
Driver Support	Windows; Linux; Mac

Touch Panel	
Touch Technology	Projected Capacitive 10-point Multitouch
Touch Connector	USB
Touch Panel Drivers	Windows; Linux; Mac; Android
Touch Life (Contacts)	Unlimited
Surface Hardness	7H

Power	
Power Indicator	Green LED
Power Supply	100-240V ACDC active switch- ing; 12V DC-Out
Stand-By Consumption (W)	<0.5

Operation / Mechanical	
Operating Temperature	-10 ~ +65 (°C)
Humidity Range (RH)	10%-90%
Net weight (kg)	4
Housing material	Aluminium
Housing (cm) LxWxH	38.846x24.046x4.92
Mounting	VESA 75/100

External Connectors	
2*USB2.0	2*USB3.0
1*DC	1*LAN
1*Line-out	1*Mic-in
1*HDMI	



Corporate Headquarters

Sunny Yu
 Email: Sunny@unitedtouch.cn
 MP: +86 15800041166 Skype: Sunny@unitedtouch.cn
 www.unitedtouch.en.alibaba.com www.wintouch.cc

Shenzhen United Touch Technology Company Co.,Ltd
 3F, 1st Building , Boshi industrial park ,HuaKe zone,Shida Road ,Dalingshan,Dongguan , Guangdong Prov.,P.R.