

Wintouch 19" Capacitive Touch PC

- VESA 75/100 bracket for mounting, metal stand included
- Edge-to-edge glass IP65 rated
- Intel Celeron J1900 CPU, Intel HD Graphics
- 2GB RAM
- 32GByte HDD included
- 32Bit and 64Bit support, Linux and Win 7/8/10 support
- Integrated Wi-Fi, 1× LAN
- 10-finger multitouch touch screen Panel
- Customization available upon request

Wintouch's Capacitive PC series stands out among competition with its fanless silent operation, IP65 front panel design, high reliability and fine craftwork.

The Touchscreen PC features a sleek modern appearance. Flat edge to edge glass with silicone rubberized seal ensures the front panel is water proof and dust proof meeting the requirements of IP65 standards. The back has a sturdy aluminum case manufactured out of a continuous casting mold with stable VESA-75/100 fixation bolts offering numerous industrial and consumer connectors.

The heart of the Touchscreen PC mainboard with the powerful but fanlessly cooled Intel Celeron J1900 processor, equipped with 2GByte RAM, 32G SSD, supporting FullHD, DirectX 11.1 and OpenGL 4.0.

The capacitive touch panel is completely inhouse developed by Wintouch's renowned engineers. 10-finger multitouch and unlimited touches without failure on the touch panel are class leading features. Behind that touch panel are Wintouch's A+ panels, guaranteeing that there is not even a single sub-pixel defect. As an option, customers can chose optical bonding and high brightness panels to further improve the visual impression of the product.

Wintouch's Capacitive Touch PCs provide best performance and stability during long term operation in present demanding manufacturing, commercial, and retail environments.



Product name	19" PCAP Touch PC
Modle numer	WTPC170

PRICE	
--------------	--

Anti-glare LCD Panel	
IP rated front panel	IP65
Screen diagonal (Inch/cm):	19/48.26
Display active screen size:	37.63x30.10
Aspect ratio:	5:4
Physical resolution:	1280x1024
Colours displayed:	16.7M
Brightness (cd/m2):	250
Contrast:	1000:1
Typical reaction time Tr/ Tf :	8/8(ms)
Visual Angle horizontal/vertical :	178/178(°)
Backlight / Backlight Lifetime	LED / 40,000

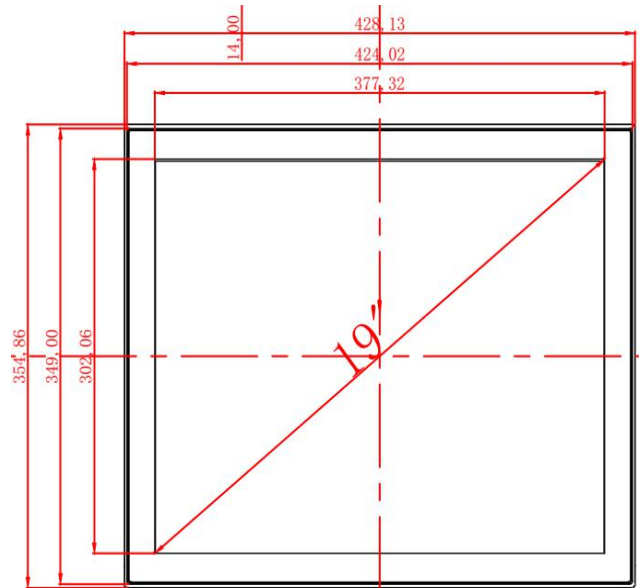
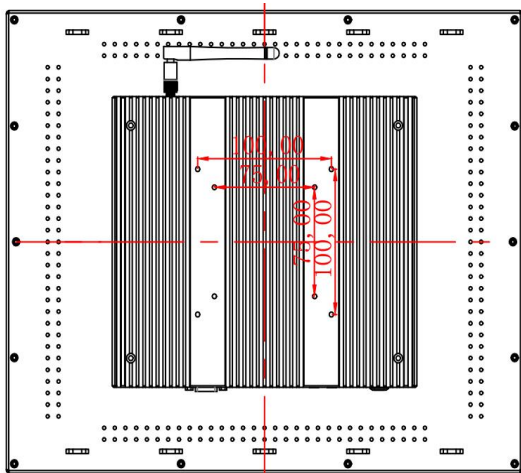
PC System	
CPU	J1900
Memory	2GB RAM
Storage	32GB SSD
W-LAN	1x LAN
Driver Support	Win7/8/10; Linux; 32Bit/64Bit

Touch Panel	
Touch Technology	Projected Capacitive 10-point Multitouch
Touch Connector	USB
Touch Panel Drivers	Windows; Linux; Mac; Android
Touch Life (Contacts)	Unlimited
Surface Hardness	7H

Power	
Power Indicator	Green LED
Power Supply	100-240V ACDC active switch- ing; 12V DC-Out
Stand-By Consumption (W)	<0.5

Operation / Mechanical	
Operating Temperature	-10 ~ +65 (°C)
Humidity Range (RH)	10%-90%
Net weight (kg)	6
Housing material	Aluminium
Housing (cm) LxWxH	42.81x35.48x4.95
Mounting	VESA 100/ VESA 75

External Connectors	
6*USB	2*RS232
1*DC	1*LAN
1*Line-out	1*Mic-in
1*HDMI	1*VGA



Corporate Headquarters

Vivien Yu

Email: Sunny@unitedtouch.cn

MP: +86 15800041166 Skype: Sunny@unitedtouch.cn

www.unitedtouch.en.alibaba.com www.wintouch.cc

Shenzhen United Touch Technology Company Co.,Ltd

3F, 1st Building , Boshi industrial park ,HuaKe zone,Shida Road ,Dalingshan,Dongguan , Guangdong Prov.,P.R.