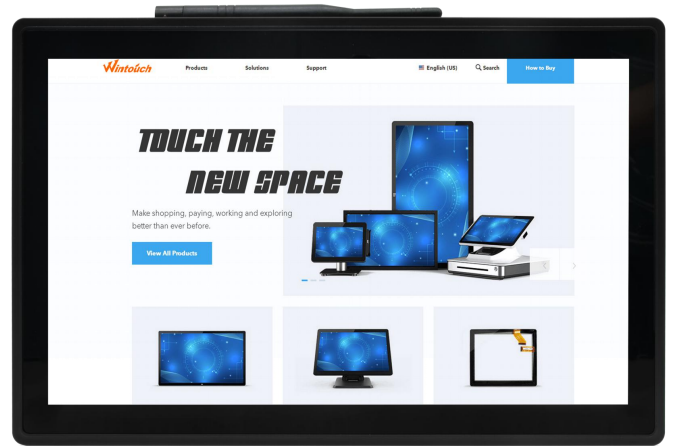


- Edge-to-edge glass IP65 rated
- 10-finger multitouch touch screen Panel
- Intel Core I3 CPU, Intel HD Graphics
- 8GB RAM 64GB SSD included
- 32Bit and 64Bit support, Linux and Win 7/8/10 support
- Integrated Wi-Fi, 1× LAN
- VESA 75/100 bracket for mounting, metal stand included
- Customization available upon request



Wintouch's innovative IP65 Front Capacitive Touchscreen PC with its silent fanless operation, reliability, and fine craftsmanship, stands out from the competition.

The Touchscreen PC features a sleek modern appearance. Flat edge to edge glass with a patented silicone rubberized seal ensures the front panel is water proof and dust proof meeting the requirements of IP65 standards. The back has a sturdy aluminum case manufactured out of a continuous casting mold with stable VESA-75/100 fixation bolts offering numerous industrial and consumer connectors like serial ports or USB 3.0.



The heart of the Touchscreen PC mainboard with the powerful but fanlessly cooled Intel Core I3 QuadCore processor, equipped with 8GB RAM, 64G SSD

The capacitive touch panel is completely inhouse developed by Wintouch's renowned engineers. it can be Anti Glare chemically etched surface treatment, 10-finger multitouch and unlimited touches without failure on the touch panel are class leading features. Behind that touch panel are wintouch's A+ panels, guaranteeing that there is not even a single sub-pixel defect.



Wintouch's industrial touch PCs ensure the performance and stability required for long term operation in today's demanding manufacturing, commercial, and retail environments.



<b>Product name</b>	<b>21.5" PCAP Touch PC</b>
<b>Model number</b>	<b>WTPC215</b>
<b>Anti-glare LCD Panel</b>	
IP rated front panel	IP65
Screen diagonal (Inch/cm):	21.5/54.69
Display active screen size:	47.70x26.80
Aspect ratio:	16:9
Physical resolution:	1920x1080
Colours displayed:	16.7M
Brightness (cd/m2):	250
Contrast:	1000:1
Typical reaction time Tr/ Tf :	15/3.5 (ms)
Visual Angle horizontal/vertical :	170/170(°)
Backlight / Backlight Lifetime	LED / 40,000

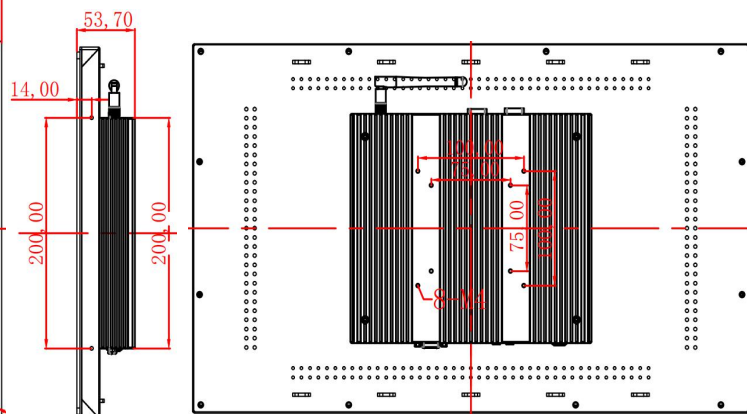
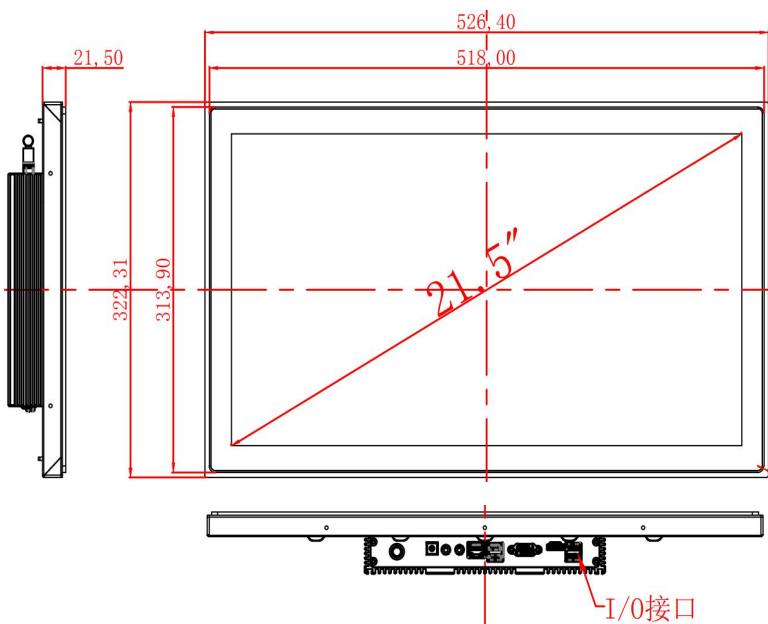
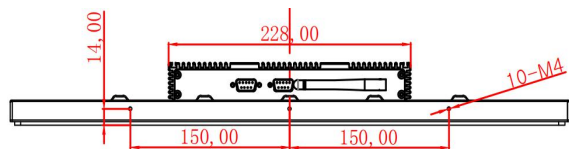
<b>Operation / Mechanical</b>	
Operating Temperature	-10 ~ +65 (°C)
Humidity Range (RH)	20%-90%
Net weight (kg)	6
Housing material	Aluminium
Housing (mm) LxWxH	526.4*322.3*53.7
Mounting	VESA 75/100

<b>PC System</b>	
CPU	I3
Memory	8GB RAM
Storage	64GB SSD
W-LAN	1x LAN
Driver Support	Windows; Linux; Mac

<b>Touch Panel</b>	
Touch Technology	Projected Capacitive 10-point Multitouch
Touch Connector	USB
Touch Panel Drivers	Windows; Linux; Mac; Android
Touch Life (Contacts)	Unlimited
Surface Hardness	7H

<b>Power</b>	
Power Indicator	Green LED
Power Supply	100-240V ACDC active switch- ing; 12V DC-Out
Stand-By Consumption (W)	<0.5

<b>External Connectors</b>	
USB (Quantity optional)	RS232(Quantity optional)
1*DC	1*LAN
1*Line-out	1*Mic-in
1*HDMI	1*VGA



### Corporate Headquarters

Sunny Yu

Email: Sunny@unitedtouch.cn

MP: +86 15800041166 Skype: Sunny@unitedtouch.cn

www.unitedtouch.en.alibaba.com www.wintouch.cc

**Shenzhen United Touch Technology Company Co.,Ltd**

3F, 1st Building , Boshi industrial park ,HuaKe zone,Shida Road ,Dalingshan,Dongguan , Guangdong Prov.,P.R.Ch