



## 8.4'' Capacitive Touch Monitor

- Patented IP65 Front with silicon seal
- Strengthened cover glass
- Anti-glare treatment (chemical etching)
- 10-finger-multi touch capacitive touch
- LED backlight backed Panels in A+ quality
- Screwable connection for rugged environment



Wintouch's Capacitive Touch Monitor series has a modern sleek look with its flat edge to edge glass front panels, and a patented silicone rubberized seal making the front panels IP65 water- and dust proof.

This new series comes with capacitive 10-finger multitouch, glass front reaching Mosh 7, the glass surface is anti glare treated (chemical etched), a wide variety of connectors including USB-B for touch, HDMI, DVI-D, VGA and audio inputs, all lockable including the DC-IN. Each capacitive Touch Monitor has an A+ industrial LCD panel backed by Wintouch's 100% no dead pixel guarantee. Each monitor comes with its own desktop stand, and screw patterns on the back for VESA 75 or 100 mounts.

The high resolution support (e.g. 768p, 1920x1200 pixels) of these Wintouch touch devices make them the perfect choice for a wide variety of applications including POS systems, as control panels in industrial fields, in kiosk systems, for office/residence automation and many other areas.

The projected 10-point capacitive touch panel is accurate and responsive. The touch function is quickly established when connected via USB port. Wintouch includes touch drivers for popular OS ( Win CE, XP, Vista, 7, 8, 10), Mac, Android and Linux. Normally, no touch driver needed for Win 7, 8 and 10. The virtual keyboard and Windows gesture makes Windows convenient to use. Besides, embedded systems, such as Raspberry.



<b>Product name</b>	<b>8.4" PCAP Touch Monitor</b>
<b>Modle numer</b>	<b>WT084B21</b>

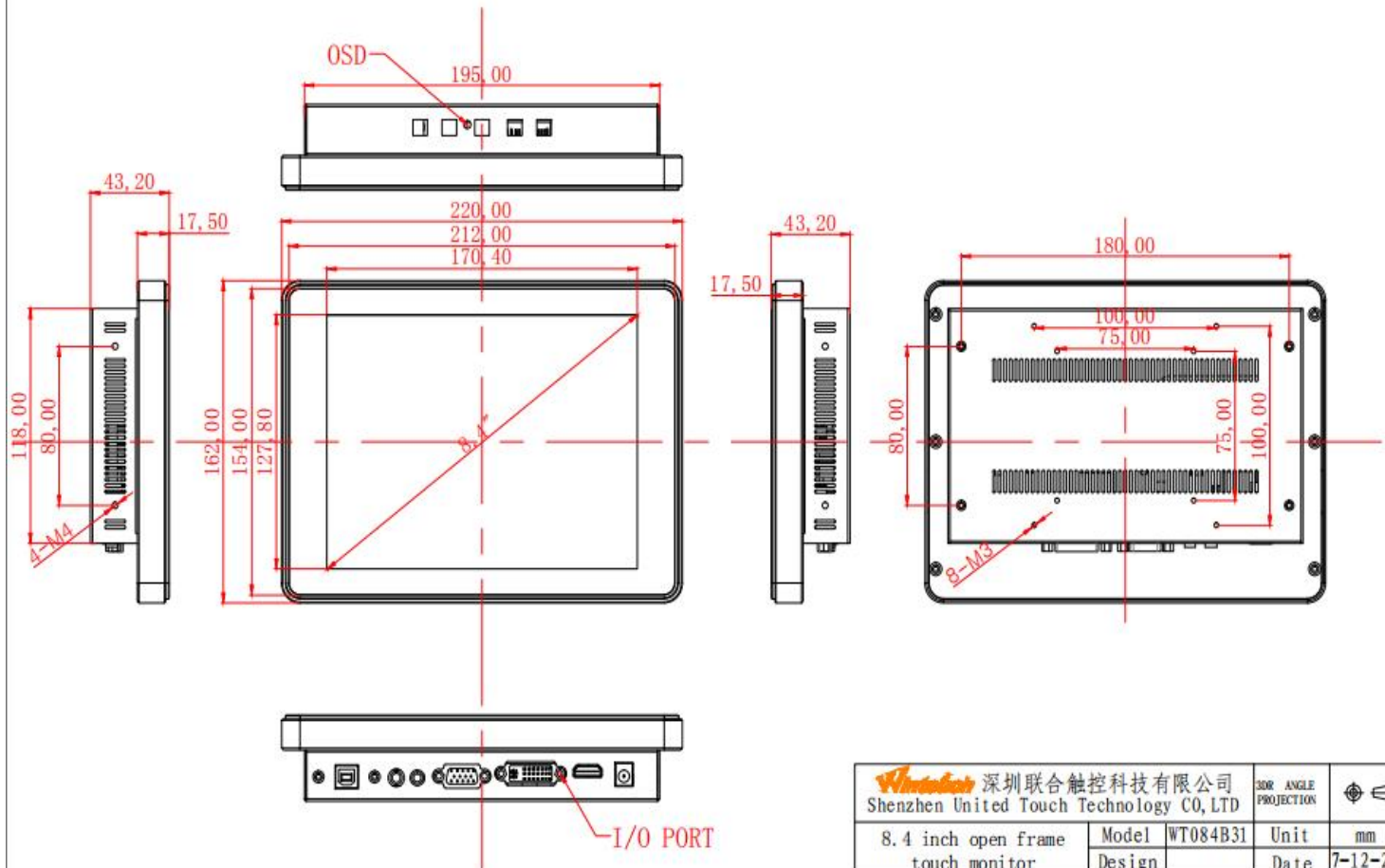
<b>Anti-glare LCD Panel</b>	
IP rated front panel	IP65
Screen diagonal (Inch/cm):	8.4/21.33
Display active screen size:	17.04x12.78
Aspect ratio:	4:3
Physical resolution:	800x600
Colours displayed:	16.7M
Brightness (cd/m2):	600
Contrast:	1000:1
Typical reaction time Tr/ Tf :	12/12 (ms)
Visual Angle horizontal/vertical :	176/176
Backlight / Backlight Lifetime	LED / 100,000

<b>Touch Panel</b>	
Touch Technology	Projected Capacitive 10-point Multitouch
Touch Connector	USB
Touch Panel Drivers	Windows; Linux; Mac; Android
Touch Life (Contacts)	Unlimited
Surface Hardness	7H

<b>Operation / Mechanical</b>	
Operating Temperature	-10 ~ +65 (°C)
Humidity Range (RH)	10%-90%
Net weight (kg)	0.9
Gross weight (kg)	2 (incl. cartonage)
Housing material	Aluminium
Housing (cm) LxWxH	22x16.2x4
Mounting	VESA 100/ VESA 75

<b>External Connectors</b>	
Video	1x VGA
	1x DVI-D
	1x HDMI 1.1 (incl. HDCP)
Audio	1x PC-Audio
Touch Connector	1x USB
Connectors	1x 12V DC-IN

<b>Power</b>	
Power Indicator	Green LED
Power Supply	100-240V ACDC active switch- ing; 12V DC-Out
Working Power (V)	12
Power Consumption (W)	6
Stand-By Consumption (W)	<1



深圳联合触控科技有限公司 Shenzhen United Touch Technology CO, LTD		30° ANGLE PROJECTION	
8.4 inch open frame touch monitor	Model WT084B31	Unit	mm
	Design	Date	7-12-20